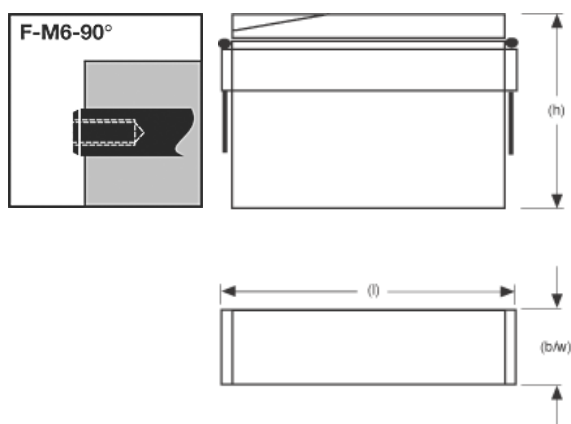


Marathon – M12V90FT data sheet



Terminal: Drawing:



Specifications:

Part numbers not valid for North America, use type for ordering!

Discharge figures are also valid for **UL 94 V0** version. Change "H" to "V" in the part number.

Example

Standard NAMF120090 **H** MOFA

UL 94 V0 NAMF120090 **V** MOFA

[Switch to: Discharge at 25 °C/inches/lb](#)

Exide type designation	Nom. Voltage V	Nom. capacity C ₁₀ 1.80 Vpc 20° C Ah	Nom. capacity C ₈ 1.75 Vpc 25° C Ah	Nom. capacity C ₁ 1.60 Vpc 20° C Ah	Length (l) max. mm	Width (b/w) max. mm	Height (h1) max. mm	Weight approx. kg	Internal resistance mOhm	Terminal
M12V90FT	12	86.0	86.0	65.3	395	105	270	31.0	5.9	F-M6-90°

Constant-current discharge in A @ 20 °C

Part number	Vpc	15 min	30 min	1 h	1,5 h	2 h	3 h	4 h	5 h	6 h	8 h	10 h	20 h	24 h
NAMF120090HM0FA	1.94	106	76.0	47.0	33.9	26.8	19.5	15.4	12.7	10.8	8.37	6.86	3.70	3.15
NAMF120090HM0FA	1.92	120	81.1	50.5	36.2	28.5	20.4	16.1	13.4	11.4	8.86	7.26	3.90	3.33
NAMF120090HM0FA	1.90	130	86.7	53.9	38.5	30.3	21.6	17.2	14.1	12.0	9.33	7.66	4.10	3.52
NAMF120090HM0FA	1.87	142	93.2	57.4	40.8	32.0	23.1	18.0	14.7	12.5	9.77	8.03	4.40	3.71
NAMF120090HM0FA	1.85	152	97.8	59.5	42.3	33.2	23.5	18.3	15.1	12.9	10.0	8.28	4.50	3.87
NAMF120090HM0FA	1.83	159	100	61.0	43.3	34.0	23.9	18.6	15.3	13.1	10.2	8.40	4.60	3.92
NAMF120090HM0FA	1.80	170	105	63.0	44.7	35.0	24.5	19.1	15.7	13.4	10.4	8.58	4.70	3.99
NAMF120090HM0FA	1.78	174	106	63.6	45.0	35.2	24.7	19.2	15.8	13.4	10.4	8.62	4.70	4.01
NAMF120090HM0FA	1.75	178	108	64.0	45.4	35.5	24.9	19.3	15.9	13.5	10.5	8.68	4.70	4.03
NAMF120090HM0FA	1.73	184	109	64.4	45.5	35.6	24.9	19.4	15.9	13.6	10.5	8.70	4.70	4.04
NAMF120090HM0FA	1.70	187	110	64.7	45.7	35.7	25.0	19.4	16.0	13.6	10.6	8.74	4.80	4.06
NAMF120090HM0FA	1.67	191	111	64.9	45.9	35.9	25.1	19.5	16.1	13.7	10.6	8.77	4.80	4.07
NAMF120090HM0FA	1.65	193	112	65.1	46.0	36.0	25.2	19.6	16.1	13.7	10.6	8.79	4.80	4.08

Constant-power discharge in W/block @ 20 °C

Part number	Vpc	15 min	30 min	1 h	1,5 h	2 h	3 h	4 h	5 h	8 h	10 h	24 h
NAMF120090HM0FA	1.94	1184	889	562	407	324	235	187	156	103	84.5	37.9
NAMF120090HM0FA	1.92	1429	944	596	430	341	247	196	164	109	88.9	39.8

NAMF120090HM0FA	1.90	1546	1002	630	454	359	259	205	171	114	93.4	41.6
NAMF120090HM0FA	1.87	1665	1061	665	477	377	271	214	178	119	97.6	43.4
NAMF120090HM0FA	1.85	1727	1098	689	493	389	279	220	183	123	100	44.6
NAMF120090HM0FA	1.83	1794	1125	700	501	395	282	222	185	124	101	45.2
NAMF120090HM0FA	1.80	1900	1167	717	512	403	288	226	188	127	103	46.0
NAMF120090HM0FA	1.78	1940	1183	721	514	404	290	228	189	128	104	46.3
NAMF120090HM0FA	1.75	1980	1200	728	516	405	290	229	190	129	105	46.7
NAMF120090HM0FA	1.73	2016	1212	732	518	405	291	230	191	129	105	46.8
NAMF120090HM0FA	1.70	2038	1221	735	519	406	292	231	192	129	105	46.9
NAMF120090HM0FA	1.67	2061	1228	737	521	407	292	231	192	129	105	47.0
NAMF120090HM0FA	1.65	2073	1235	739	522	408	293	231	193	130	105	47.0